

## EN Installation Manual

### USA and Canada

Service Office Dometic  
1 Sierra Place  
Litchfield, IL 62056-3029  
877-663-8396 (option 1)

### Service center and dealer locations

Visit: [www.sierraparts.com](http://www.sierraparts.com)

This product fits the following two-prong engines: Johnson/Evinrude (most models), Mercury (1998 and newer), Yamaha (most models and 1997 and older Mercury)

### Scope of Delivery

Part	Quantity
Stainless steel hose clamp	1
1/4 in. NPT tank connector	1
6 ft universal fuel line assembly with fuel line to quick disconnect tank connector	1
Johnson/Evinrude engine fitting (red)	1
Mercury engine fitting (white)	1
Yamaha engine fitting (blue)	1
3 gal (053703-10) or 6.5 gal (053701-10) EPA/CARB compliant portable marine fuel tank with sight gauge.	1

### Recommended Tools

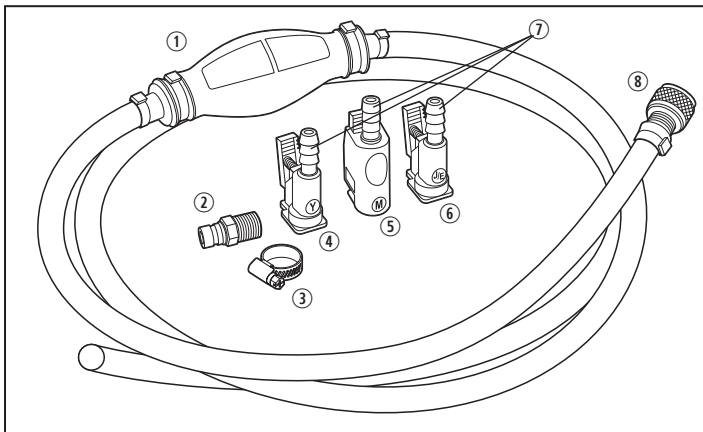
Flat-bladed screwdriver	Leak detection fluid or a solution of diluted dish washing soap
Lubricant	
Open end wrench	

- To avoid cross threading, carefully thread the 1/4 in NPT tank connector with white sealant on its threads by hand in a clockwise motion until it is seated in the tank.
- Check for leaks by spraying or brushing a thin solution of leak detection fluid on the connection and watching for air bubbles.
- Tighten the connection, if needed.
- Connect the universal quick disconnect fuel line fitting to the tank connector.
- Check to make sure the flow arrow on the primer bulb points to the engine.
- Choose the correct fuel line connector for the engine model and year.
- Slide the stainless steel hose clamp onto the fuel line hose.
- Lubricate the hose barb and push the correct fuel line connector into the fuel line hose.
- Slide the stainless steel hose clamp towards the hose barb until it is one full width of the clamp away from the fuel line connector.
- Tighten the screw on the stainless steel hose clamp.

## Installation

**⚠ WARNING: FIRE AND/OR EXPLOSION HAZARD. Failure to obey the following warnings could result in death or serious injury:**

- Do **not** use the product leaks if are detected. Failure to obey this warning could result in death or serious injury.
- Check your fuel system for leaks and wear every time before use.
- Disconnect the fuel line assembly from the tank when it is stored or not in use.



### 1 Components

- |                                 |   |
|---------------------------------|---|
| ① EPA/CARB approved primer bulb | ⑤ Mercury engine fitting (white)        |
| ② 1/4 in. NPT tank connector    | ⑥ Johnson/Evinrude engine fitting (red) |
| ③ Stainless steel hose clamp    | ⑦ Hose barb                             |
| ④ Yamaha engine fitting (blue)  | ⑧ Quick disconnect fuel line fitting    |

### ⚠ WARNING

Cancer and Reproductive Harm  
[www.P65Warnings.ca.gov](http://www.P65Warnings.ca.gov)