

SIERRA SERVICE AND PARTS



Fuel Tank

EN	Pickup assembly for Sierra fuel tank
	Installation Manual.....3

⚠ WARNING
Cancer and Reproductive Harm www.P65Warnings.ca.gov

Copyright

© 2024 Dometic Group. The visual appearance of the contents of this manual is protected by copyright and design law. The underlying technical design and the products contained herein may be protected by design, patent or pending patent. The trademarks mentioned in this manual belong to Dometic Sweden AB. All rights are reserved.

English

1 Important notes

Please read these instructions carefully and follow all instructions, guidelines, and warnings included in this product manual in order to ensure that you install, use, and maintain the product properly at all times. These instructions **MUST** stay with this product.

By using the product, you hereby confirm that you have read all instructions, guidelines, and warnings carefully and that you understand and agree to abide by the terms and conditions as set forth herein. You agree to use this product only for the intended purpose and application and in accordance with the instructions, guidelines, and warnings as set forth in this product manual as well as in accordance with all applicable laws and regulations. A failure to read and follow the instructions and warnings set forth herein may result in an injury to yourself and others, damage to your product or damage to other property in the vicinity. This product manual, including the instructions, guidelines, and warnings, and related documentation, may be subject to changes and updates. For up-to-date product information, please visit documents.dometic.com.

2 Intended use

The Sierra fuel tanks are intended for use in a marine environment.

This product is only suitable for the intended purpose and application in accordance with these instructions.

This manual provides information that is necessary for proper installation and/or operation of the product. Poor installation and/or improper operating or maintenance will result in unsatisfactory performance and a possible failure.

The manufacturer accepts no liability for any injury or damage to the product resulting from:

- Incorrect installation or assembly
- Incorrect maintenance or use of spare parts other than original spare parts provided by the manufacturer
- Alterations to the product without express permission from the manufacturer
- Use for purposes other than those described in this manual

Dometic reserves the right to change product appearance and product specifications.

3 Installation



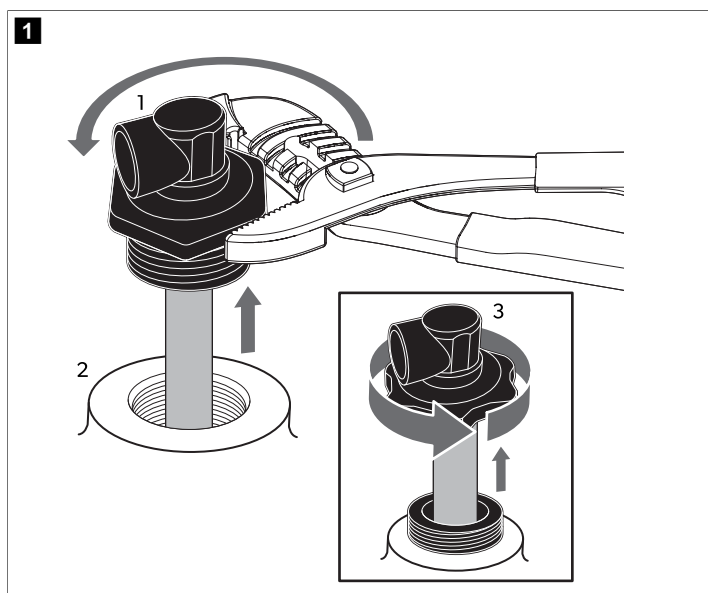
WARNING! Fire and/or explosion hazard

Failure to obey this warning could result in death or serious injury. Avoid repeated or prolonged contact with fuel. Fuel vapors can be ignited by a spark or flame that is some distance away. Keep away from flame, pilot lights, stoves, heaters, electrical motors, or other potential ignition sources.

3.1 Connecting a third-party fuel line fitting

The pickup assembly must be removed from the fuel tank before connecting the fuel line fitting.

1. Be sure the fuel tank is empty.

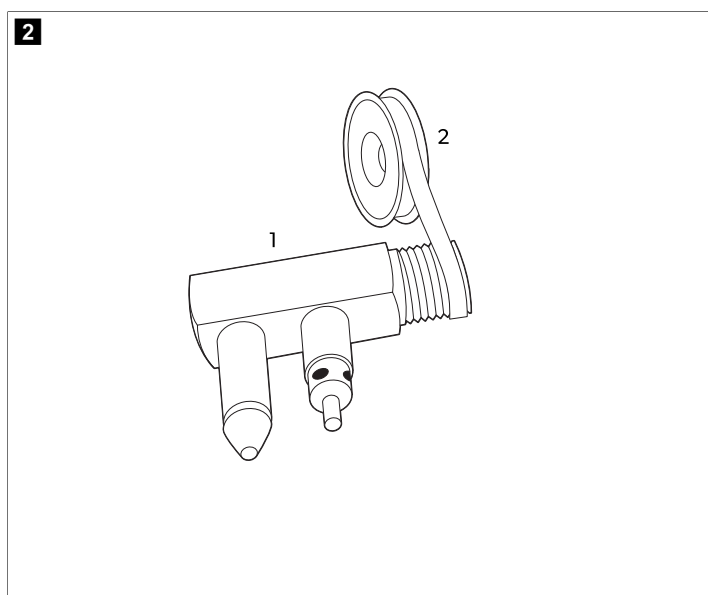


1	Pickup assembly (hex cap model)	3	Pickup assembly (hand-tighten cap model)
2	Fuel tank		

2. Carefully unscrew the pickup assembly from the fuel tank.

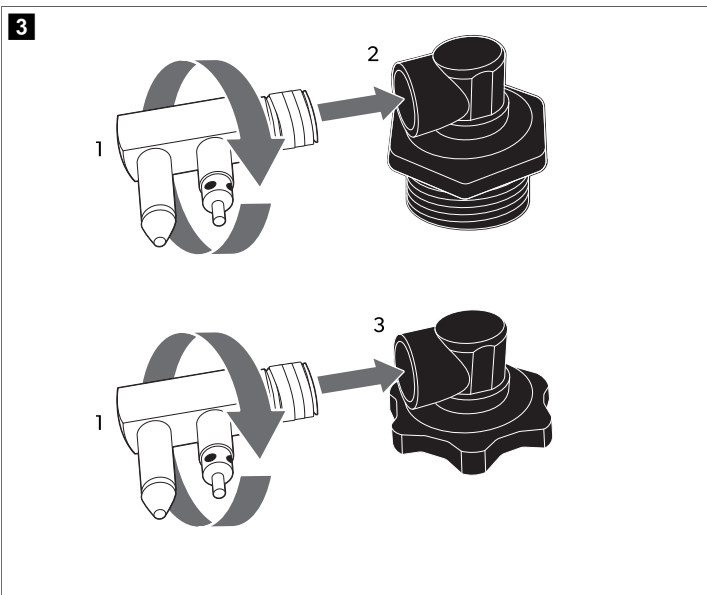


NOTE If the pickup assembly cannot be loosened by hand, an adjustable wrench or slip-joint pliers may be used. Take care not to damage the pickup assembly cap or threads.



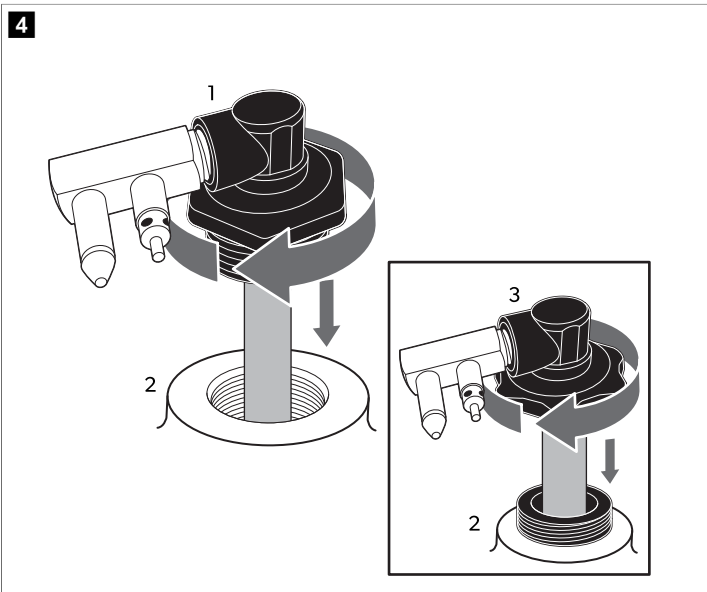
1	Fuel line fitting	2	Thread-sealing tape
---	-------------------	---	---------------------

3. Apply thread-sealing tape to the threads on the fuel line fitting.



1	Fuel line fitting	3	Pickup assembly (hand-tighten cap model)
2	Pickup assembly (hex cap model)		

4. Hand-tighten the fuel line fitting to the pickup assembly; then tighten another quarter turn with a wrench.



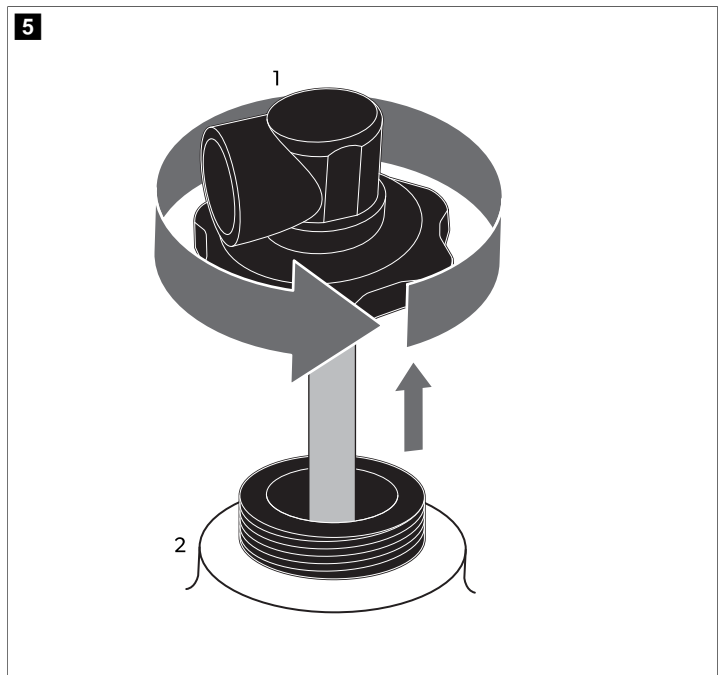
1	Pickup assembly (hex cap model)	3	Pickup assembly (hand-tighten cap model)
2	Fuel tank		

5. Hand-tighten the pickup assembly to the fuel tank.

3.2 Replacing the pickup assembly

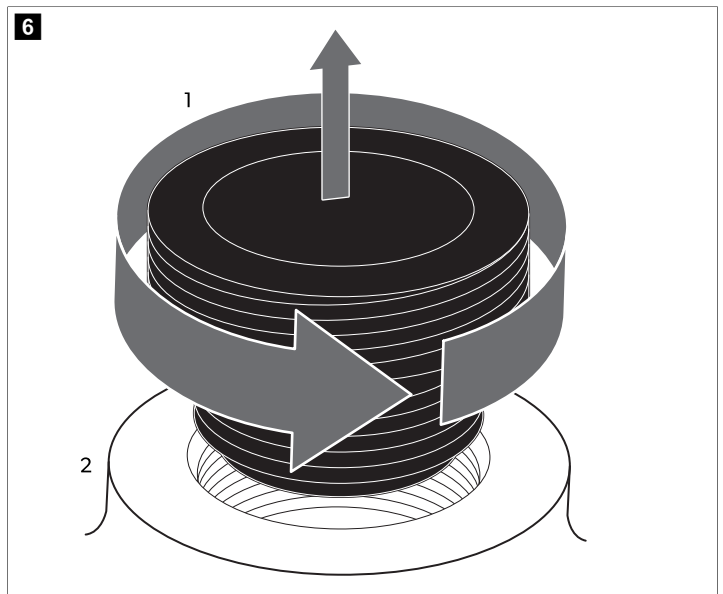
These steps describe how to replace a pickup assembly that has a hand-tighten cap model with a pickup assembly that has a hex cap model.

1. Be sure the fuel tank is empty.



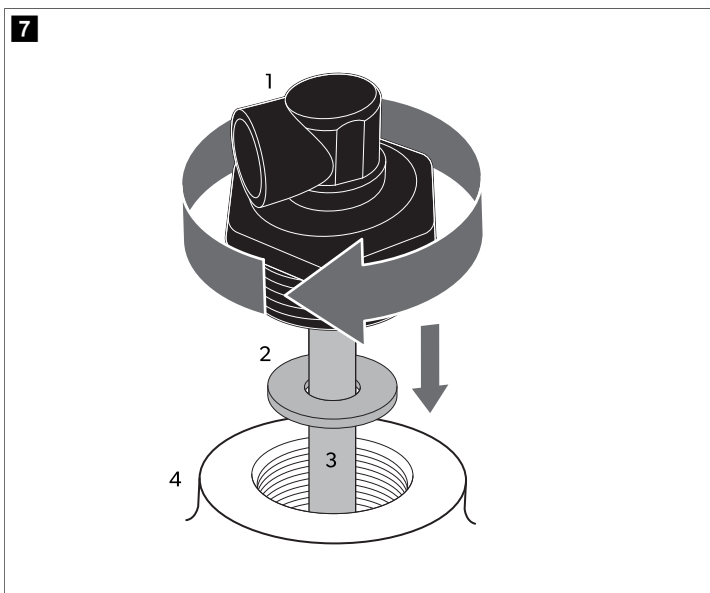
1	Pickup assembly (hand-tighten cap model)	2	Fuel tank
---	--	---	-----------

2. Unscrew and remove the pickup assembly (hand-tighten cap model) from the fuel tank.



1	Threaded collar	2	Fuel tank
---	-----------------	---	-----------

3. Remove the threaded collar from the fuel tank.
Channel lock pliers can be used to loosen the collar, if necessary.
4. Remove the thin gasket.
5. Verify that the new gasket with the smaller inner diameter is installed on the new pickup assembly (hex cap model) fuel tube.



1	Pickup assembly (hex cap model)	3	Fuel tube
2	New gasket	4	Fuel tank

6. Insert the pickup assembly (hex cap model) into the fuel tank.

7. Hand-tighten the hex cap.

4 Disposal



Place the packaging material in the appropriate recycling waste bins, wherever possible. Consult a local recycling center or specialist dealer for details about how to dispose of the product in accordance with applicable national and local disposal regulations.



sierraparts.com

SUPPORT

sierraparts.com/en-us/support
